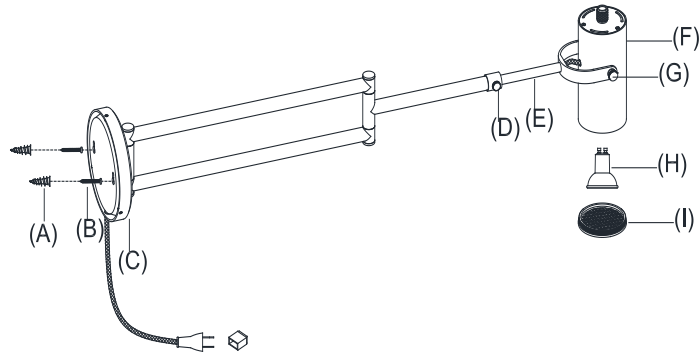


CHAMPEAUX SWING-ARM SCONCE

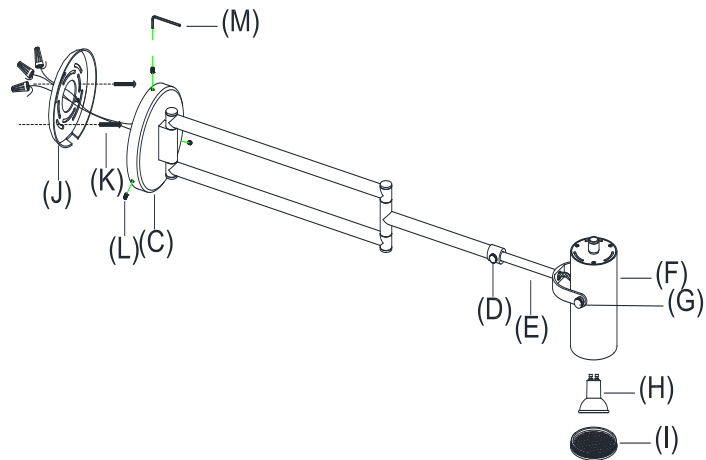
PARTS ENCLOSED

- (A) Metal Anchors (2)
- (B) Screws (2)
- (C) Lamp Base (1)
- (D) Adjustment Key (1)
- (E) Rod (1)
- (F) Shade (1)
- (G) Knobs (2)
- (H) LED Bulb (1)
- (I) Glass Diffuser (1)
- (J) Mounting Plate (1)
- (K) Mounting Screws (2)
- (L) Set Screws (1)
- (M) Wrench (1)

PORTABLE ASSEMBLY (FIG. 1)



HARDWIRE ASSEMBLY (FIG. 2)



CHAMPEAUX SWING-ARM SCONCE

IMPORTANT SAFETY INSTRUCTIONS

INSTALLATION BY A LICENSED ELECTRICIAN IS STRONGLY RECOMMENDED.

For safety purposes, this lamp is equipped with a polarized plug (one blade is wider than the other). If the plug does not fit securely into outlet, do not force it - contact a professional electrician. Use the plug with an extension cord only if it can be fully inserted into the cord's socket. Never alter the plug in any way.

This fixture has been rated for one (1) 6-Watt maximum LED TYPE PAR16 bulb (B) (included). To avoid the risk of fire, do not exceed the recommended wattage.

WARNINGS

All wires are connected. When unpacking, be careful not to pull wires, as a bad connection may result. Do not connect electricity until your fixture is fully assembled. To reduce the risk of fire, electrical shock, or personal injury, always turn off fixture and allow it to cool prior to replacing the light bulb. Do not touch or look directly at the bulb when fixture is illuminated. Keep flammable materials away from lit bulb.



WARNING: This product can expose you to lead, which is known to the State of California to cause cancer and birth defects or other reproductive harm. For more information, go to www.P65Warnings.ca.gov.

THIS IS NOT A TOY AND THE PRODUCT HAS NO PLAY VALUE.



WARNING: STRANGULATION HAZARD

Keep cord at least 3 ft away from cribs, bassinets, and toddler beds. Keep out of reach of children under 3.

ASSEMBLY & INSTALLATION - PORTABLE (FIG. 1)

- Carefully remove all parts from the box and remove all plastic covering.
- Measure center distance of both hanging key holes at backside of Lamp Base (C). Mark hole locations on the wall with the same distance at the desired height; make sure both holes are level with each other.
- Drill small holes on each point location on the wall. Each hole should be large enough to accommodate the Metal Anchors (A). Push Metal Anchors (A) into the holes in the wall.

ASSEMBLY & INSTALLATION CONT.

- Insert both Screws (B) into the Metal Anchors (A). Make sure both screw heads with 1/8" threads are visible.
- Hook Lamp Base (C) onto both screw heads of Mounting Screws (B).
- Remove the Glass Diffuser (I) from Shade (F).
- Insert Bulb (H) (included) into socket.
- Replace Glass Diffuser (I) to the Shade (F).
- Plug into proper electrical outlet and test fixture.
- Assembly is complete.

ASSEMBLY & INSTALLATION - HARDWIRE (FIG. 2)

SHUT OFF THE MAIN ELECTRICAL SUPPLY FROM THE FUSE BOX OR CIRCUIT BREAKER PANEL.

- Carefully remove all parts from the box and remove all plastic covering.
- Guide wiring from wall outlet through center the hole in Mounting Plate (J). Affix Mounting Plate (J) to wall outlet box and secure with Mounting Screws (K).
- Cut the wire twelve inches away from Fixture Base (C)
- Attach the fixture ground wire and house ground wire (usually green insulation or bare wire) to wall outlet box with the green grounding screw. Connect fixtures to corresponding house wire with a wire nut. Carefully tuck the wires back into the outlet box. IT IS IMPERATIVE THAT THE OUTLET BOX IN YOUR HOME BE PROPERLY GROUNDED.
- Connect the neutral wire (WHITE) to the neutral outlet wire (usually white insulation) with a plastic wire connector and wrap the connection with electrical tape.
- Connect the hot wire (BLACK) to the hot outlet box wire (usually black insulation) with a plastic wire connector and wrap the connection with electrical tape. DO NOT REVERSE THE HOT AND NEUTRAL CONNECTIONS; OTHERWISE, SAFETY WILL BE COMPROMISED.
- Attach Fixture Base (C) to the affixed Mounting Plate (J) and secure with Set Screws (L). Tighten with Wrench (M).
- Remove the Glass Diffuser (I) from Shade (F).
- Insert Bulb (H) into socket.
- Replace Glass Diffuser (I) to the Shade (F).
- Assembly is complete.

CARE INSTRUCTIONS

Do not use polishes or cleaners on your lamp. Just wipe clean with a soft cloth.